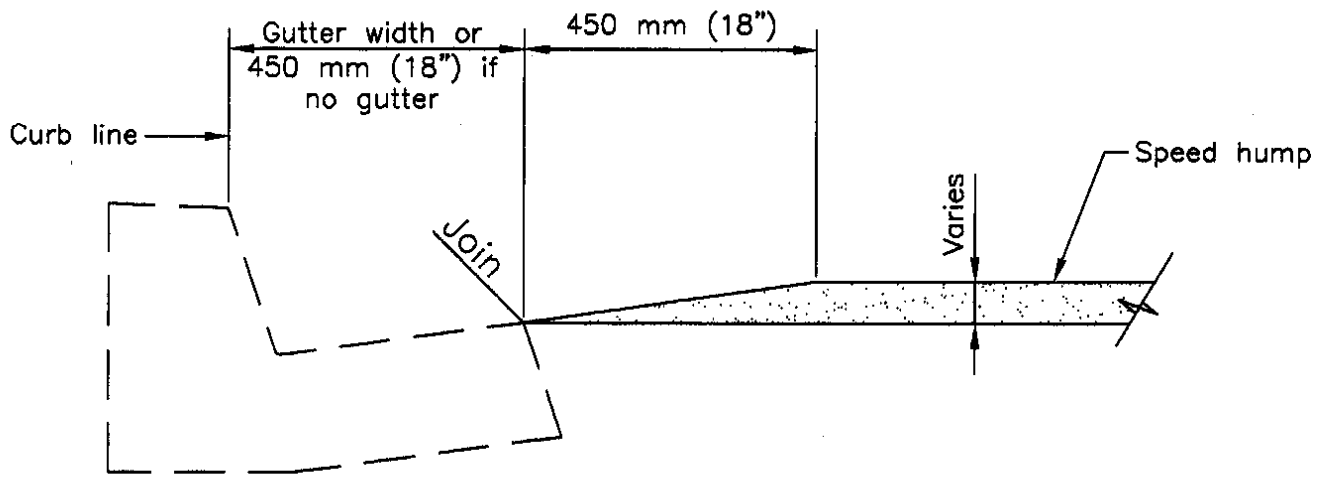


NOTES

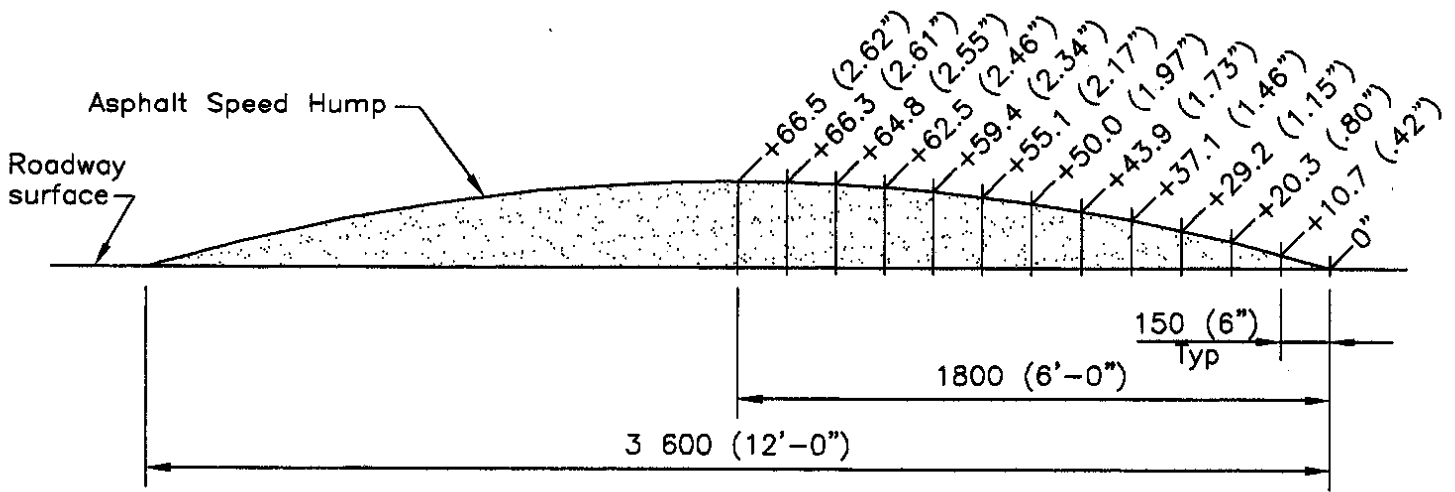
1. See project plans for placement of humps and warning signage.
2. Not to be installed within 60 m (200') of Stop controlled intersections and 90 m (300') of signalized intersections.
3. Not for roadways with center drainage swales.

Dimensions are in millimeters, except as noted

REVISIONS		CITY OF LONG BEACH, CALIFORNIA DEPARTMENT OF PUBLIC WORKS	STANDARD PLAN NO.
NO.	DATE		METRIC 137
1	02/28/03	SPEED HUMP	SHEET 1 OF 2
2			
3			
4			
APPROVED BY: <i>[Signature]</i>		CITY ENGINEER R.F. No. 40599	DATE: 4/16/03 EX. DATE 03/31/07



SECTION A-A



SECTION B-B

Dimensions are in millimeters, except as noted

REVISIONS		CITY OF LONG BEACH, CALIFORNIA DEPARTMENT OF PUBLIC WORKS	STANDARD PLAN NO.
NO.	DATE		METRIC 137
1	02/28/03	SPEED HUMP	SHEET 2 OF 2
2			
3			
4			
APPROVED BY: <i>[Signature]</i>		CITY ENGINEER R. No. 40599	DATE: 4/16/03 EX. DATE: 03/31/07