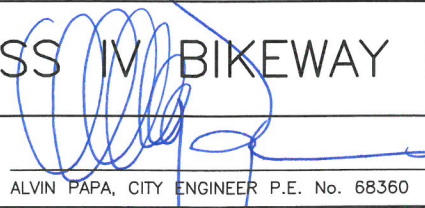
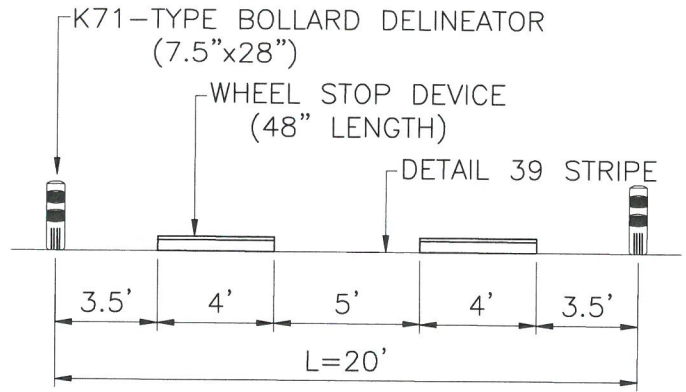
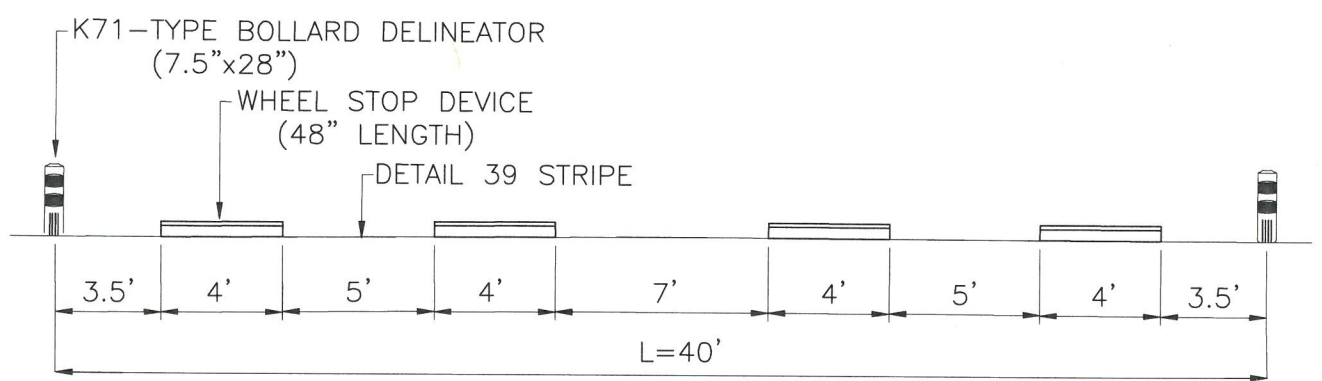


4 3 2 1		CITY OF LONG BEACH, DEPARTMENT OF PUBLIC WORKS 2019 STANDARD PLANS	STANDARD PLAN NO.
		CLASS IV BIKEWAY MARKINGS	306
	NO.	DATE	SHEET
	REVISIONS	APPROVED BY: 	DATE: <u>3/29/19</u>

ALVIN PAPA, CITY ENGINEER P.E. No. 68360



TYPE 1 - FOR SPEED LIMITS OF 30 MPH OR LESS



TYPE 2 - FOR SPEED LIMITS OF 35 MPH OR GREATER

WHEEL STOP AND DELINEATOR

DETAIL A

NOTES:

1. BIKE LANE AND PARKING AREA WIDTHS VARY AND WILL BE SHOWN ON PLAN.
2. STRIPING DETAILS SHALL CONFORM TO THE LATEST EDITION OF THE CALIFORNIA MANUAL ON UNIFORM TRAFFIC CONTROL DEVICES (CA MUTCD).

4		CITY OF LONG BEACH, DEPARTMENT OF PUBLIC WORKS 2019 STANDARD PLANS	STANDARD PLAN NO.
3		CLASS III BIKEWAY MARKINGS	306
2			
1			
NO.	DATE	APPROVED BY:	DATE: <u>3/29/19</u>
REVISIONS		ALVIN PAPA, CITY ENGINEER P.E. No. 68360	SHEET <u>2</u> OF <u>2</u>