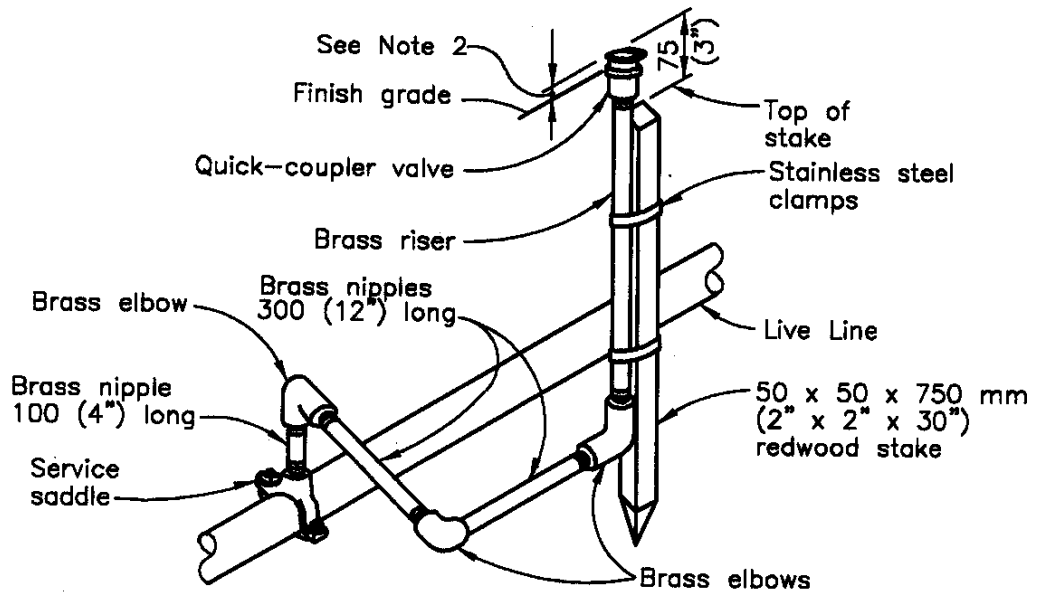


IN LINE INSTALLATION

END OF LINE INSTALLATION



INSTALLATION ON LIVE LINE 100 mm (4") or Larger

**NOTES:**

1. Brass risers, nipples and elbows shall be Schedule 40.
2. Quick-coupling valves shall be installed flush with finished grade in lawn areas and 25 mm (1") above finished grade in all other areas.
3. Quick-coupling valves shall be located not more than 300 mm (12") from adjacent header board, curb or sidewalk (except in lawn areas) unless otherwise shown on the project plans.

Dimensions are in millimeters, except as noted

<b>REVISIONS</b> NO. DATE 1 12/23/02 2 3 4		<b>CITY OF LONG BEACH, CALIFORNIA</b> DEPARTMENT OF PUBLIC WORKS  <b>QUICK COUPLER VALVE INSTALLATION</b>  APPROVED BY: <i>Mad. Chiffell</i> CITY ENGINEER R.E. NO. 40589	<b>STANDARD PLAN NO.</b>  <b>METRIC 409</b>  <b>SHEET</b> 1 OF 1
		DATE: 1/10/03 EX. DATE: 03/31/03	