



## GO FOURTH! FRIDAY NEWSLETTER

September 19, 2025

Issue No. 543

Thank you for taking the time to read our weekly newsletter. Every Friday afternoon at 1:30 pm, we distribute this publication to provide updates on past and future events throughout our council district. Please encourage your neighbors to sign up for the Go Fourth! Friday newsletter by filling out the form at this [link](#).

- Councilman Daryl Supernaw



## Past and Ongoing Events

### Nature Center Wilderness in Color Gallery

From now until September 30th, the Nature Center is hosting the Wilderness in Color Gallery by artist Kanae Kwan. There is also an opportunity for a meet & greet with Kanae tomorrow, Saturday, September 20th from 10:30 am to 12 pm. Please call (562) 570-1745 for more information.



### Reporting Missed Trash/Recycling/Organics

If your refuse, recycling or organics bin is not collected by the end of your scheduled service day, you can make a report by calling (562) 570-2876 or submitting a report online [here](#). The online form has check boxes for each of the three categories:

- Trash was not collected
- Recyclables were not collected

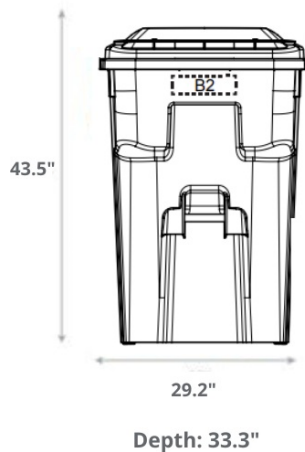
- Organics were not collected



## Organics Green Bin Replacement Process

Long Beach Recycles allows one green cart size exchange every 6 months. After completing a request [online](#), a customer service representative will contact you within 3-5 business days to verify your account. If you have not heard within 5 business days, please call (562) 570-2876 to confirm your request has been received. **Please note:** There is shortage of all organics carts. Cart exchanges are scheduled to resume the week of November 3rd. Customers who request a smaller bin will have their bill adjusted to reflect the smaller bin rate effective the date their request for a smaller bin is submitted. Billing for increased bin sizes will be effective the date the bin is delivered to your home.

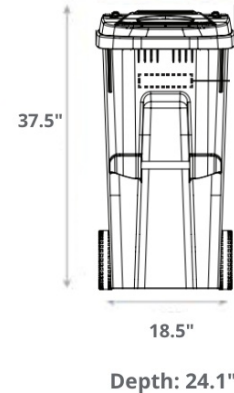
### 95 Gallon



### 65 Gallon



### 35 Gallon



## Encampment Cleanups This Week

We had a very productive week in addressing homeless encampments throughout CD4. The most urgent was near Spring St. and the 605 Freeway where multiple fires had been set. Caltrans was able to clear the area of encampments on Tuesday. Along the San Gabriel River, the Los Angeles County Dept. of Public Works cleared encampments from Carson Street south. They also cleared encampments in the Los Cerritos Channel at the Willow St. overpass just west of Palo Verde. Finally, the open storm channel near the former Pep Boys retail store at 4645 E. PCH was cleared yesterday. All these efforts were coordinated through our office, and we'd like to thank the residents who reported the sites to us. Also thanks to the staff who extended resources to the individuals in the encampments and assisted with site clearing. Reports can also be submitted online. Encampments in or along a flood control channel can be reported to [LACDPW](#). Encampments along a freeway, ramp or soundwall can be reported to [Caltrans](#). Encampments on city right-of-ways can be reported via email to [HomelessServices@longbeach.gov](mailto:HomelessServices@longbeach.gov)



## September is National Preparedness Month

The City of Long Beach is recognizing September as National Preparedness Month. An educational and interactive social media campaign will run all month long and will include disaster preparedness guidance and tips, including how to build an emergency kit and sign up for emergency alerts. Community members are encouraged to follow the Department of Disaster Preparedness and Emergency Communications on [Facebook](#), [Instagram](#) and [X](#) at @LBDisasterPrep. More information about how to prepare for disasters and major emergencies is available on the department webpage at [longbeach.gov/disasterpreparedness](http://longbeach.gov/disasterpreparedness).



## City of Long Beach Urban Planning Program

The City of Long Beach Economic Development Department is now accepting applications for the second cohort of its Long Beach Urban Planning and Design Internship Program, a paid initiative designed to provide college students with real-world experience in urban planning, architecture and civic engagement. The Program is open to students ages 18 to 30 who are currently enrolled in a community college or university program in urban planning, architecture or related fields. Applications are accepted through Thursday, October 2nd. Find more information [here](#).



## Upcoming Events

### Bethany School Community Kickoff

September 19th | 5:30 pm | 2250 Clark Ave

Come support Bethany School, enjoy a hamburger and listen to the sounds of the Long Beach Community Band TONIGHT! Dinner will be provided and you can purchase a sweet treat and beverage at the student council fundraiser. Seating is not provided so bring your lawn chair! This free event will take place at 5:30 pm on the school parking lot. Let them know how many burgers to grill by clicking here to [RSVP](#). Visit this [link](#) for more information.



### On the Backs of Our Ancestors Screening

September 19th | 7 pm | 5450 Atherton St, Wylder Hall

Friends of Puvungna and the Native Justice team at the Unitarian Universalist Church of Long Beach (UUCLB) are hosting a FREE showing of the film "On the Backs of Our Ancestors", which discusses Native land use. The film starts at 7pm in Wylder Hall at UUCLB. After the film, a Q & A session with an expert panel will discuss the latest information about efforts to restore and preserve the sacred site of Puvungna, located in CSULB. The panel will include the film's producer, Todd Perry. For questions, please e-mail the UUCLB Native Justice Team at [nativejustice.team@uuclb.org](mailto:nativejustice.team@uuclb.org)

You are cordially invited to attend a screening of :  
**On The Backs Of Our Ancestors**  
 Directed by : Todd Perry- Acjachemen  
 SEPTEMBER 19th, 2025 7:00 PM



Learn about sacred sites \* Panel discussion with tribal leaders & filmmaker  
 Learn how to show up & get involved !  
 Viewing location : WYLDER HALL  
 Unitarian Universalist Church of Long Beach  
 5450 E. Atherton Street Long Beach, CA

RSVP email: friendsofpuvungna@gmail.com



## 2025 Annual Ranchos Walk

September 20th | 8 am - 2 pm | Check-in at CSULB Lot E6

The Ranchos Walk is back for 2025! The community is invited to hike the crest trail that links Rancho Los Alamitos and Rancho Los Cerritos. Participants can choose between the 3, 6, or 9-mile hike options. Registration includes access to a guided audio tour which highlights facts about the area's history. Participation is FREE and includes entry to the post-walk celebration hosted by Rancho Los Cerritos. Online registration has closed but day-of registration will be at each start point. Find more info [here](#).

## Vida Latina Storytime at Los Altos Library

September 20th | 10:30 - 11:30 am | 5614 E Britton Dr.

Celebrate Vida Latina with a special storytime featuring stories, songs and fun for the whole family at Los Altos Library. No registration is required, but space is limited. Please call (562) 570-1045 for more information.



## FREE Youth Tennis Play Day

September 20th | 12 - 2 pm | 2800 N Studebaker Rd.

Bridge the Gap Tennis is having a Free Youth Tennis Play Day and End of Summer Event tomorrow, Saturday, September 20th from 12 to 2 pm at the El Dorado Tennis & Pickleball Center. This event is open to kids ages 4 to 15 and includes tennis, facepainting, pizza and fun! All levels are welcome and rackets will be provided. Register at this [link](#).

## Hide & Seek Bivo Bottles at SB Long Beach

September 22nd | 2100 N Bellflower Blvd.

To celebrate all things cycling, Sports Basement Long Beach has teamed up with water bottle brand Bivo for a game of hide and seek throughout all SB stores. Starting on September 22nd, 3 super special custom Sports Basement Bivo bottles will be hidden in the store. You'll know you've found the hidden bottle if you see a mix and matched Bivo with the SB logo on it. If you find the one-of-a-kind bottle, take it to the register to let the store know and it's yours for FREE!



## LBACS Low-Cost Vaccine Clinics

September 22nd & 26th | 10 am - 2:30 pm | 7700 E Spring St.

Long Beach Animal Care Services and Camp Clinics are hosting low-cost vaccine clinics on Monday, September 22nd and Friday, September 26th from 10 am to 2:30 pm. No appointment is necessary, but only the first 60 pets will be accepted. For a vaccine price list and important tips to expedite your visit, please visit this [link](#). Click [here](#) for future vaccine clinics at LBACS.



## BARK at El Dorado Library

September 23rd | 4:30 - 5:30 pm | 2900 N Studebaker Rd.

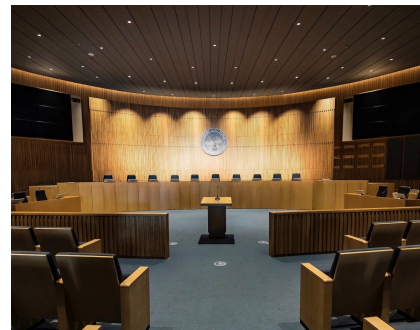
Come practice reading with calming, friendly, and nonjudgemental dogs at El Dorado Library! No registration required, and all ages are welcome: Toddlers (1-3), Preschool (3-5), School-age, Teens and Tweens. For more information, email please call (562) 570-3136.



## Next on the City Council Agenda

September 23rd | 5 pm | 411 W Ocean Blvd.

The City Council meeting will start at 5:00 pm in the Civic Chambers on the ground floor of City Hall, located at 411 W. Ocean Blvd. City council meetings are broadcast live online at: [LBTv3.com](http://LBTv3.com) and on Channel 3 for Charter cable subscribers and Channel 21 for FIOS subscribers. Comments can be submitted by email to: [CityClerk@longbeach.gov](mailto:CityClerk@longbeach.gov). Items on Tuesday's meeting agenda include:



- **C-18:** Recommendation to receive and file the application of New RCI Holdings Incorporated, dba Edwards Long Beach #1042, for a premise and person to person transfer of an Alcoholic Beverage Control (ABC) License, at 7501 East Carson Boulevard. (District 4)
- **R-24:** Recommendation to receive and file an update on the proposed Mobile Food Facility Ordinance recommendations; and Request City Attorney to prepare an ordinance to amend the Long Beach Municipal Code (LBMC), Titles 5, 8, 21, and 22, based on the recommendations outlined in this City Council Letter regarding consolidating mobile food

facilities regulations and enforcement into one ordinance; and, in consultation with City Manager, or designee, repeal provisions of the LBMC which are obsolete, no longer applicable, or no longer enforced related to mobile food facilities and similar operations. (Citywide)

The entire agenda can be found [here](#). To see the schedule and agenda for all upcoming city meetings, click [here](#).

## AES Alamos Emergency Notification Test

September 24th | 12 pm | 690 N Studebaker Rd.



AES Alamos will conduct monthly testing of their emergency notification system on Wednesday, September 24th, which is intended for personnel working on-site at the Alamos Energy Facility. The testing will occur the last Wednesday of every month at noon for approximately 2 minutes. The system testing will consist of various tones, alarms, and recorded messages. The sound volume of the notification system is not expected to travel beyond the plant; however, if you hear alarms and/or messages, please keep in mind that it is only a test. If you have any questions or concerns, please contact the Alamos Energy Facility at (888) 363-2226.

## Save the Date: CD4 Aquarium Night 9/24!

September 24th | 6:30 - 8:30 pm | 100 Aquarium Way

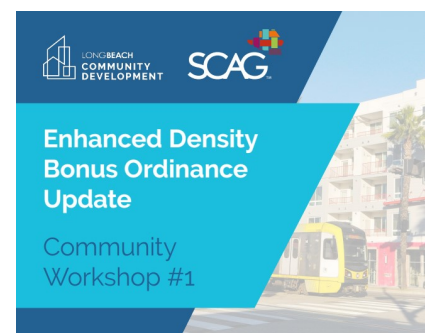
Save the Date! On Wednesday, September 24th, CD4 residents are invited to a FREE evening at the Aquarium of the Pacific. The event will take place from 6:30 - 8:30 pm and is open to everyone. Parking will be \$8 with validation in the structure across from the Aquarium. Please use this [link](#) to make a reservation.



## EDB Ordinance Update Workshop #1

September 25th | 5:30 - 7 pm | 2400 E Spring St.

The Community Development Department is hosting a community workshop on the upcoming Enhanced Density Bonus (EDB) Ordinance update. The ordinance facilitates the development of mixed income and multi-family housing by establishing regulations that offer a density bonus and development concessions in exchange for the provision of on-site affordable housing units. Residents are invited to join the Planning Bureau and RRM Design to share their input and questions. Find more info [here](#).



## Celebrate CSULB's Founders Day of Service

September 27th | 8 - 11 am | Lot G 11 at the Walter Pyramid

At The Beach, service and giving back are part of their tradition. This year, join CSULB's legacy of generosity and help make a difference by participating in Feed the Beach. Feed the Beach is a special drive-through donation event supporting CSULB students through programs such as, Basic

Needs, EOP, Guardian Scholars and Promise to The Beach. Learn more by clicking [here](#).



## NICU Warrior Walk 2025

September 28th | 8:30 - 11:30 am | Shoreline Aquatic Park

Council District 4 is a proud sponsor of the Cooper Steinhauser Foundation NICU Warrior Walk. Join for a morning of raising awareness and support for Neonatal Intensive Care Unit (NICU) babies and their families. Whether you're a NICU graduate, a parent, a healthcare provider, or a supporter, this walk is for you! Enjoy beautiful ocean views, interactive exhibits and the company of others who understand the journey of the NICU. Show support for these little fighters. If you'd like to register, please use this [link](#).



## Coffee With a Cop in CD4

October 1st | 5:30 - 6:30 pm | 6560 E Spring St.

Join the LBPD East Division officers at Coffee With a Cop on Wednesday, October 1st from 5:30 to 6:30 pm. The location is Starbucks at 6560 E Spring St. Stop by for conversation and coffee and get to know the officers in the East Patrol Division. Visit this [link](#) for more details.



## And Finally...

### Porsche Long Beach Grand Opening

On Tuesday night, the Fletcher Jones Automotive Group hosted a grand opening celebration event in their new Porsche Long Beach Center showroom at the traffic circle. Special thanks to the Grunion's Jo Murray for her great article in yesterday's edition that you can read at this [link](#). It also appears in today's Press Telegram [here](#). Jo Murray even included a photo of the '54 Porsche I owned when the first Porsche dealership opened at the traffic circle 56 years ago. Among the 2,700 guests Tuesday night were Acura Grand Prix of Long Beach CEO, Jim Michaelian (pictured with Fletcher Jones), and Port of Long Beach CEO, Mario Cordero.



It is quite a coup for the City of Long Beach to be the home of such a prestigious dealership. I am proud to say that our council office was able to provide all the necessary assistance to expedite the opening of this beautiful Gen 5 showroom. There are a lot of moving parts with any construction project of this magnitude, and we worked directly with Fletcher Jones III to help make it all happen. This included assisting the architectural and construction firms with

approvals, settling an easement issue and helping with business licensing. We were also able to work with Southern California Edison to fast track the power connection to the building. Seeing the iconic new showroom at night makes it apparent that the end product was well worth all the effort. Go Fourth!



A New Chapter Begins. Welcome to Our New Home.

1850 Outer Traffic Circle,  
Long Beach, CA 90815

Fletcher Jones

Office of Councilman Daryl Supernaw  
Fourth District  
City of Long Beach  
411 West Ocean Boulevard  
Long Beach, CA 90802  
(562) 570-4444  
[district4@longbeach.gov](mailto:district4@longbeach.gov)  
[www.longbeach.gov/district4](http://www.longbeach.gov/district4)

Councilman Daryl Supernaw | 411 West Ocean Boulevard | Long Beach, CA 90802 US

[Unsubscribe](#) | [Update Profile](#) | [Constant Contact Data Notice](#)



Try email marketing for free today!