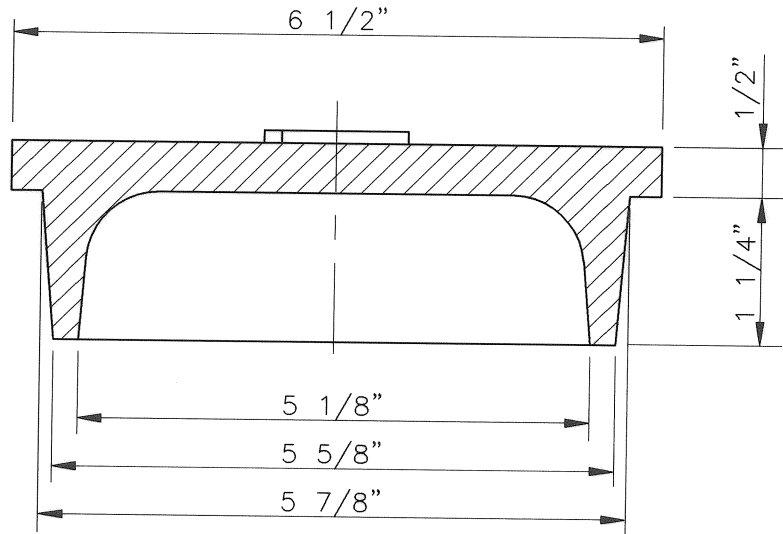
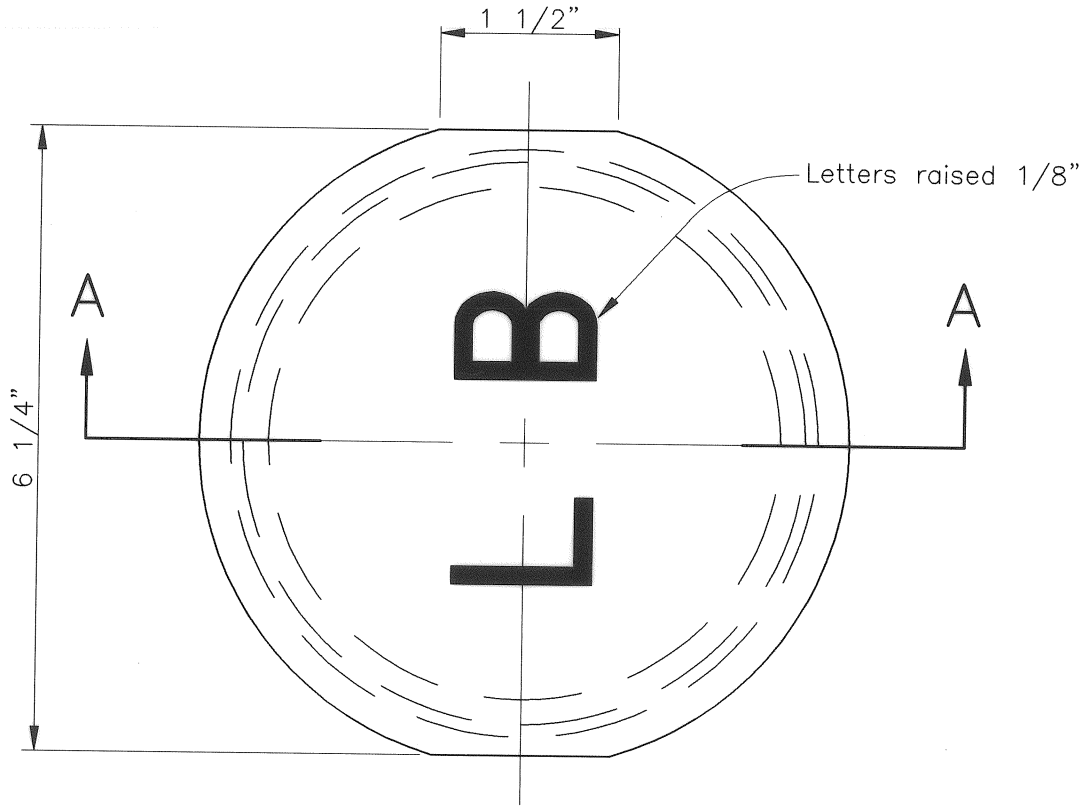


SAVED PATH: R:\Standard Plans\CLBSTD_2017\CLB-STD PLAN-2017 MULTI-LAYOUT

4		CITY OF LONG BEACH, DEPARTMENT OF PUBLIC WORKS 2017 STANDARD PLANS	STANDARD PLAN NO. 204
3			
2			
1			
NO.	DATE	CASTING INSTALLATION FOR EXISTING TIE MONUMENTS	
REVISIONS		APPROVED BY: 	DATE: 11/13/17
		CITY ENGINEER R.E. No. 65081	SHEET 1 OF 2



SECTION A-A



PLAN

6" CAST IRON COVER FOR EXISTING TIE MONUMENTS

SAVED PATH: R:\Standard Plans\CLBSTD_2017\CLB-STD_PLAN-2017_MULTI-LAYOUT

4	
3	
2	
1	
NO.	DATE
REVISIONS	

CITY OF LONG BEACH, DEPARTMENT OF PUBLIC WORKS 2017 STANDARD PLANS	
CASTING INSTALLATION FOR EXISTING TIE MONUMENTS	
APPROVED BY: <i>[Signature]</i>	DATE: 11/13/17
CITY ENGINEER R.E. No. 65081	

STANDARD PLAN NO.	204
SHEET	2 OF 2