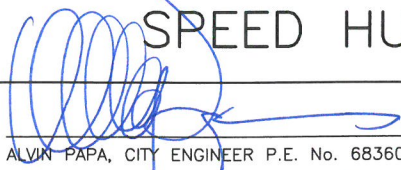
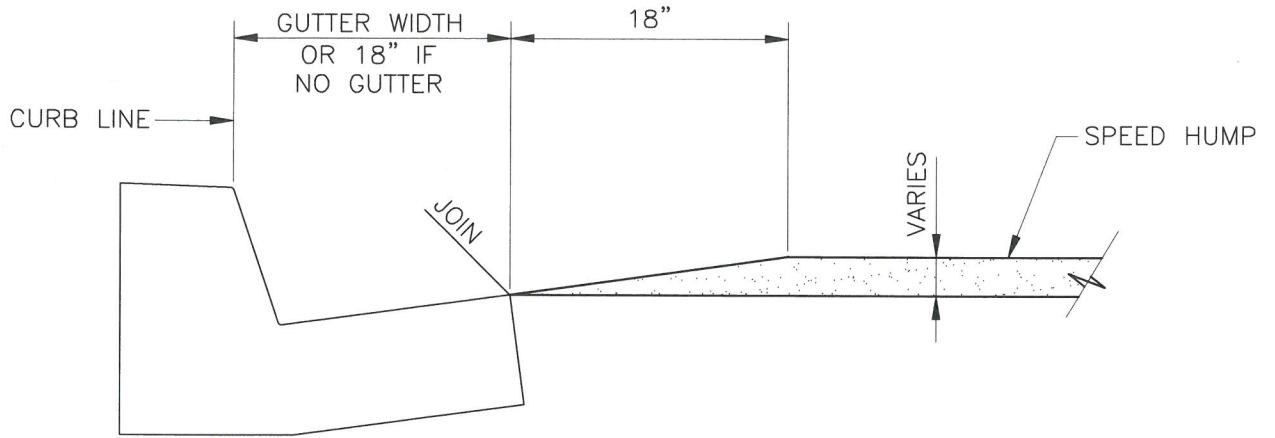


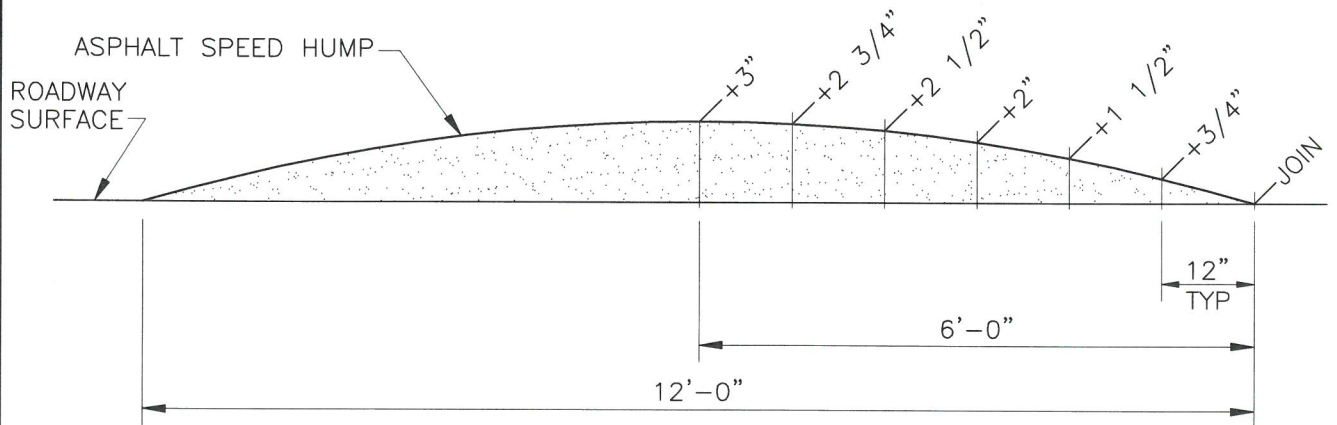
NOTES

1. SEE PROJECT PLANS FOR PLACEMENT OF HUMPS AND WARNING SIGNAGE.
2. NOT TO BE INSTALLED WITHIN 200' OF STOP CONTROLLED INTERSECTIONS AND 300' OF SIGNALIZED INTERSECTIONS.
3. NOT FOR ROADWAYS WITH CENTER DRAINAGE SWALES.
4. STRIPING DETAIL SHALL CONFORM TO THE LATEST EDITION OF THE CALIFORNIA MANUAL ON TRAFFIC CONTROL DEVICES (CA MUTCD) PER FIGURE 3B-29 OPTION A.

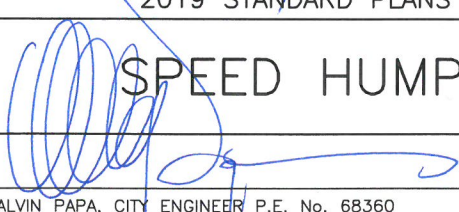
4		CITY OF LONG BEACH, DEPARTMENT OF PUBLIC WORKS 2019 STANDARD PLANS	STANDARD PLAN NO. 311
3			
2			
1			
NO.	DATE	APPROVED BY: 	DATE: 3/29/19
REVISIONS		ALVIN PAPA, CITY ENGINEER P.E. No. 68360	SHEET 1 OF 2



SECTION A-A



SECTION B-B

4		CITY OF LONG BEACH, DEPARTMENT OF PUBLIC WORKS 2019 STANDARD PLANS	STANDARD PLAN NO. 311
3			
2			
1			
NO.	DATE	APPROVED BY: 	DATE: 3/29/19
REVISIONS		ALVIN PAPA, CITY ENGINEER P.E. No. 68360	SHEET 2 OF 2