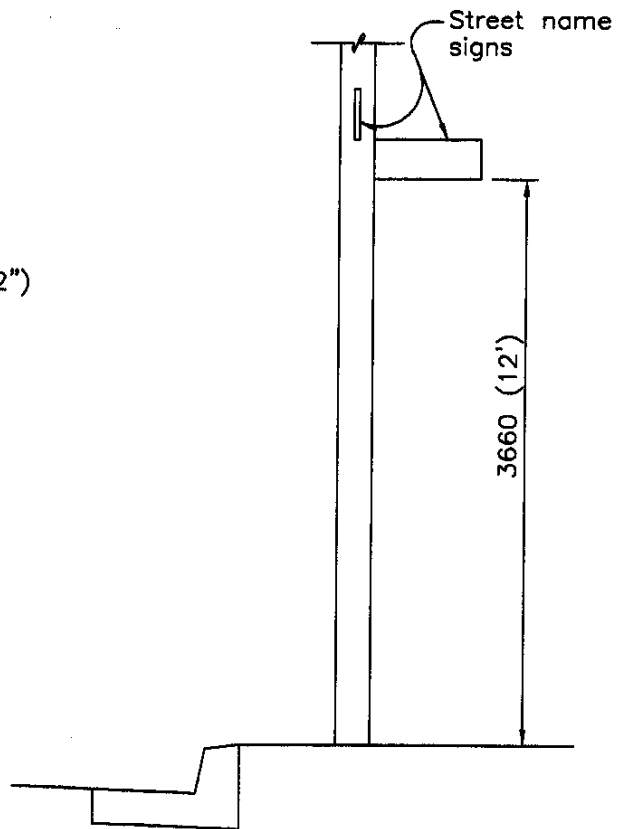


TYPICAL POST INSTALLATION



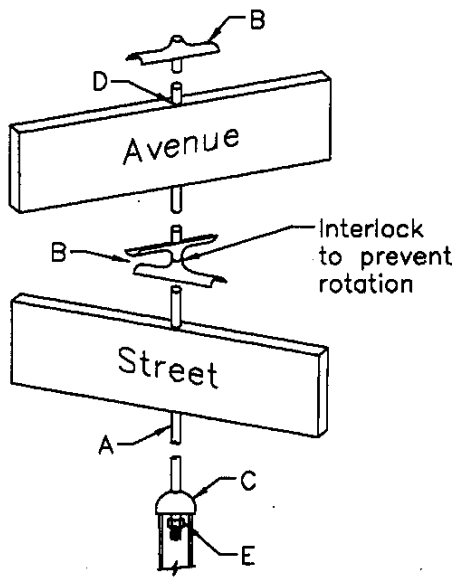
TYPICAL INSTALLATION ON STREET LIGHT
OR TRAFFIC SIGNAL STANDARD

NOTES:

1. For foundation details see Standard Plan LB-317
2. Location of signs shall be determined by Long Beach Bureau of Traffic and Transportation, telephone (562) 570-3264.
3. "Ave" signs shall be mounted on top of "St" signs.
4. All street name signs shall be mounted away from the curb.

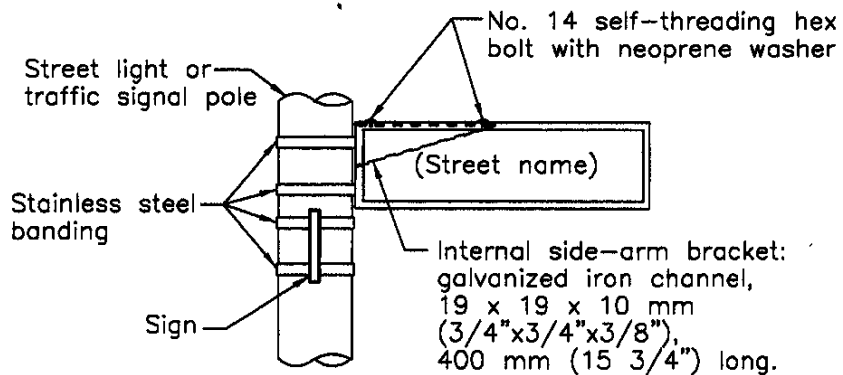
Dimensions are in millimeters, except as noted.

REVISIONS		CITY OF LONG BEACH, CALIFORNIA DEPARTMENT OF PUBLIC WORKS	STANDARD PLAN NO.
NO.	DATE		METRIC 318
1	04/05/96	STREET NAME SIGN INSTALLATION	SHEET
2	06/14/01		
3	12/23/02		1 OF 2
4	02/28/03		
APPROVED BY: <i>[Signature]</i>		DATE: <i>4/16/03</i>	
CITY ENGINEER R.F. No. 40599		EX. DATE <i>05/31/07</i>	



POST MOUNTING DETAIL

- A Cadmium-plated carriage bolt
16 mm (5/8") dia, 305 or 535 mm
(12" or 21") long.
- B Ornamental top and center cross saddles
anodized cast aluminum.
- C Post cap, anodized cast aluminum, for
51 x 51 mm (2" x 2") square metal post,
with three 10 mm (3/8") stainless steel
set screws.
- D Holes per Standard Plan LB-319
- E 16 mm (5/8") galvanized split lock washer
and hex nut



STREET LIGHT OR TRAFFIC SIGNAL
MOUNTING DETAIL

Dimensions are in millimeters, except as noted

REVISIONS		CITY OF LONG BEACH, CALIFORNIA DEPARTMENT OF PUBLIC WORKS	STANDARD PLAN NO.
NO.	DATE		
1	04/05/96	STREET NAME SIGN INSTALLATION	METRIC 318
2	06/14/01		
3	12/23/02	APPROVED BY: <i>[Signature]</i> CITY ENGINEER R.E. N. 40599	SHEET
4	02/28/03		DATE: <i>4/16/03</i> EX. DATE: <i>03/31/07</i>
			2 OF 2