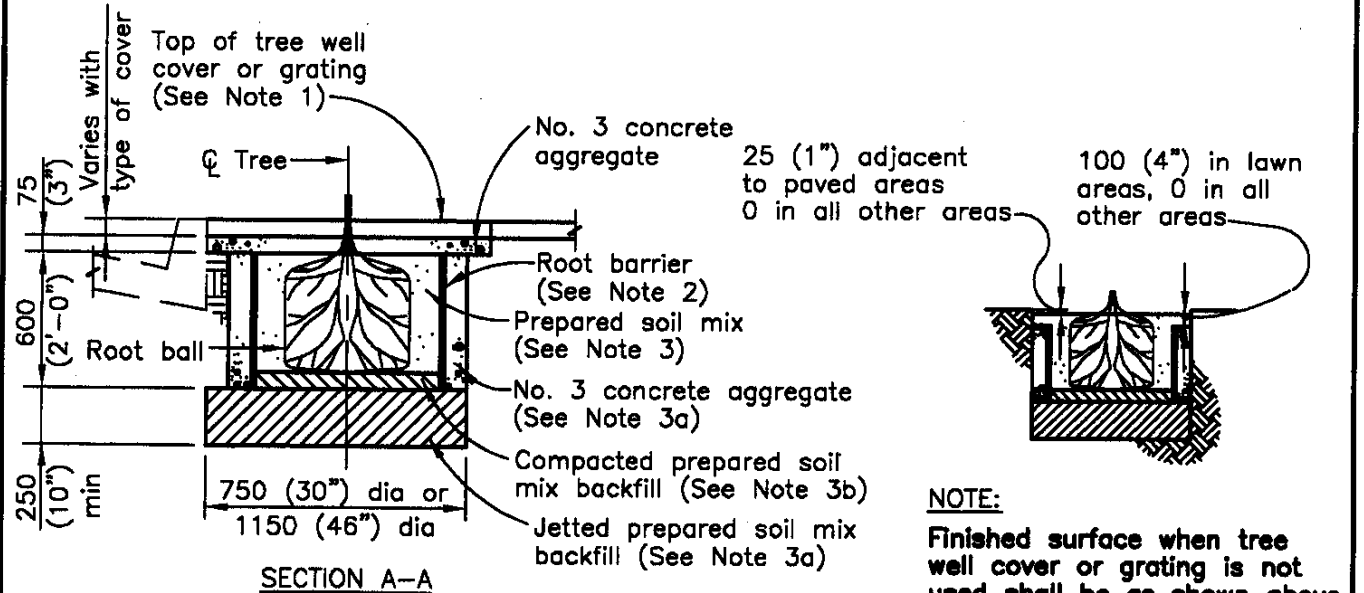


20 to 60 L (5 to 15 GAL) TREE

600 mm (24") BOX TREE



NOTE:
Finished surface when tree well cover or grating is not used shall be as shown above.

NOTES:

1. See project plans for type of tree well cover or tree guard and grating to be used.
2. Root barrier shall be fabricated from a high density and high impact plastic such as polyvinyl chloride, ABS or polyethylene and have a minimum thickness of 1.5 mm (0.06"). The plastic shall have 15 to 20 mm (1/2"-3/4") high raised vertical ribs on the inner surface spaced not more than 150 to 200 mm (6"-8") apart.
3. Planting shall conform to Subsection 308-4 of the Standard Specifications, except that:
 - a. The lower 250 mm (10") of the excavation shall be backfilled with prepared soil mix and jettted prior to placing the root barrier and the No. 3 concrete aggregate.
 - b. Prepared soil mix shall be placed in the planting hole and compacted to bottom of root ball prior to proceeding with tree planting.

Dimensions are in millimeters, except as noted

REVISIONS		CITY OF LONG BEACH, CALIFORNIA DEPARTMENT OF PUBLIC WORKS	STANDARD PLAN NO.
NO.	DATE		
1	12/23/02	TREE ROOT BARRIER	METRIC 504
2			
3			
4			
APPROVED BY: <i>Mark Chittell</i>		DATE: <i>1/10/03</i>	SHEET
CITY ENGINEER R.E. No. 40599		EX. DATE: 03/31/03	1 OF 1