

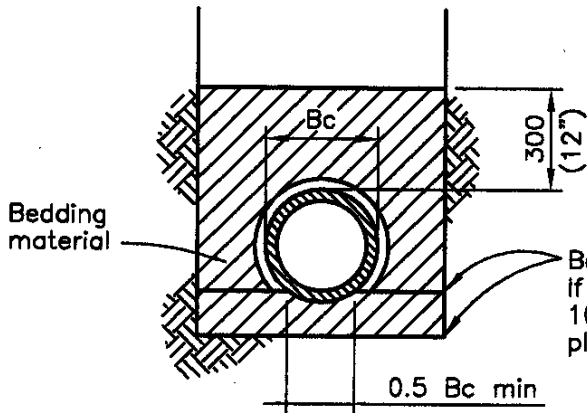
- A = Outside diameter of conduit
- B = 150 mm (6") min, 250 mm (10") max
- C = Width of trench at top of conduit
- C max = A + 500 mm (20")

TABLE OF MAXIMUM EXCAVATION WIDTHS	
Conduit Size (O.D. or Largest External Horizontal Diameter)	W
750 mm (30") or less	600 mm (24") + O.D.
Larger than 750 mm (30") to 1400 mm (56")	750 mm (30") + O.D.
Larger than 1400 mm (56") to 1950 mm (78")	900 mm (36") + O.D.
Larger than 1950 mm (78")	1200 mm (48") + O.D.

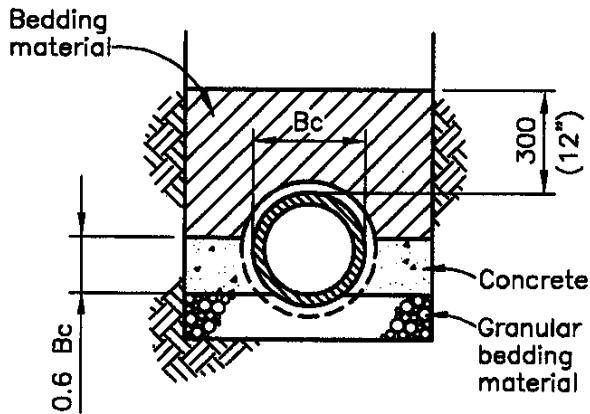
TRENCH WIDTH REQUIREMENTS

Dimensions are in millimeters, except as noted

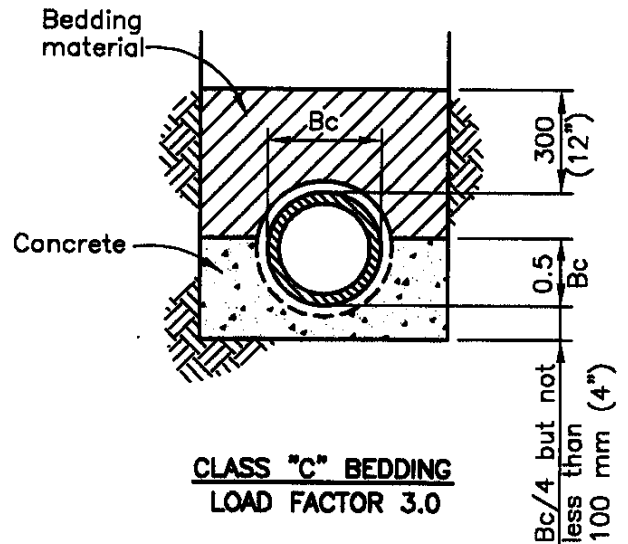
REVISIONS		CITY OF LONG BEACH, CALIFORNIA DEPARTMENT OF PUBLIC WORKS	STANDARD PLAN NO.
NO.	DATE		
1	01/02/98	TRENCH WIDTH AND BEDDING REQUIREMENTS	SHEET
2	12/23/02		
3			
4			
APPROVED BY: <i>Mark Outfall</i>		DATE: <i>1/10/03</i>	1 OF 3
CITY ENGINEER R.E. No. 40599		EX. DATE: <i>03/21/03</i>	



CLASS "A" BEDDING
LOAD FACTOR 1.5



CLASS "B" BEDDING
LOAD FACTOR 2.5



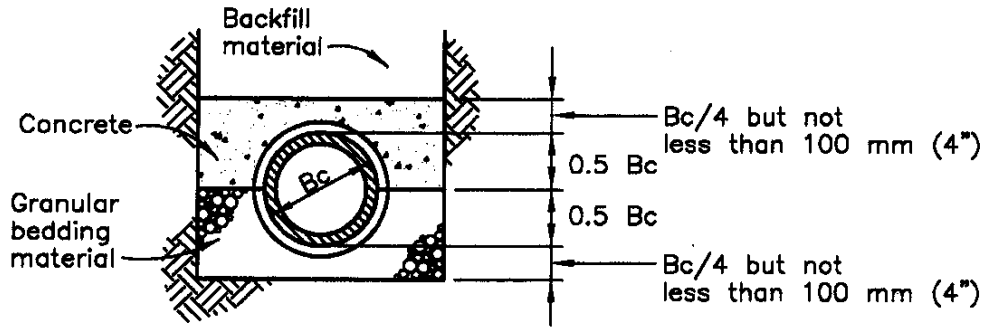
CLASS "C" BEDDING
LOAD FACTOR 3.0

NOTES:

1. Class "A" Bedding shall be used, unless otherwise noted on project plans.
2. Bedding material shall conform to Subsection 306-1.2.1 of the Standard Specifications.
3. When concrete bedding is used, pipe shall be securely anchored at each joint to prevent pipe from floating.

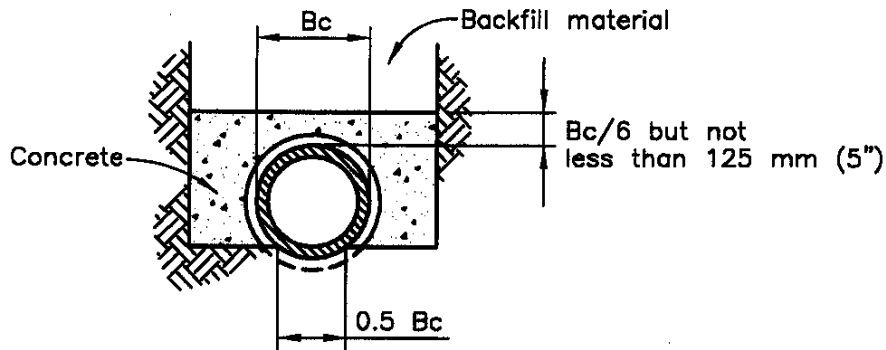
Dimensions are in millimeters, except as noted

REVISIONS		CITY OF LONG BEACH, CALIFORNIA DEPARTMENT OF PUBLIC WORKS	STANDARD PLAN NO.
NO.	DATE		
1	01/02/98	TRENCH WIDTH AND BEDDING REQUIREMENTS	METRIC
2	12/23/02		634
3			SHEET
4			2 OF 3
APPROVED BY: <i>Mal Chaffee</i>		CITY ENGINEER R.E. No. 40599	DATE: 1/10/23 EX. DATE: 03/21/03

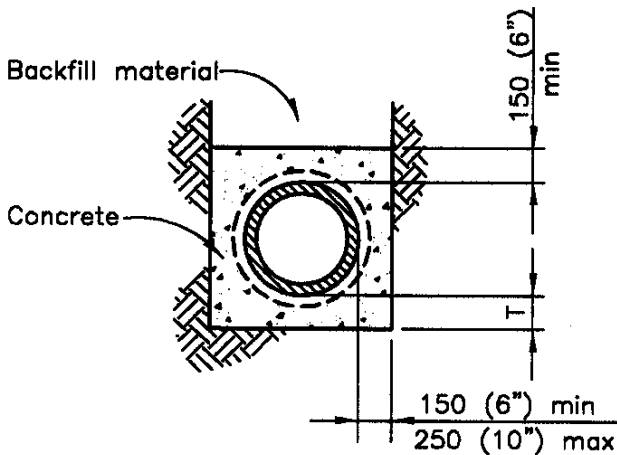


CLASS "D" BEDDING
LOAD FACTOR 3.2

(To be used only when severe ground water conditions occur)



CLASS "E" BEDDING
LOAD FACTOR 3.2



CLASS "F" BEDDING
LOAD FACTOR 4.5

TABLE OF T DIMENSIONS	
PIPE SIZE (I.D.)	T
150 - 600 mm (6" - 24")	150 mm (6")
675 - 825 mm (27" - 33")	200 mm (8")
900 - 975 mm (36" - 39")	225 mm (9")
1050 - 1500 mm (42" - 60")	250 mm (10")

Dimensions are in millimeters, except as noted

REVISIONS		CITY OF LONG BEACH, CALIFORNIA DEPARTMENT OF PUBLIC WORKS	STANDARD PLAN NO.
NO.	DATE		
1	01/02/98	TRENCH WIDTH AND BEDDING REQUIREMENTS	SHEET 3 OF 3
2	12/23/02		
3			
4			
APPROVED BY: <i>Mark Christoffel</i>		DATE: <i>1/10/03</i>	
CITY ENGINEER R.E. No. <i>0589</i>		EX. DATE: <i>03/31/03</i>	