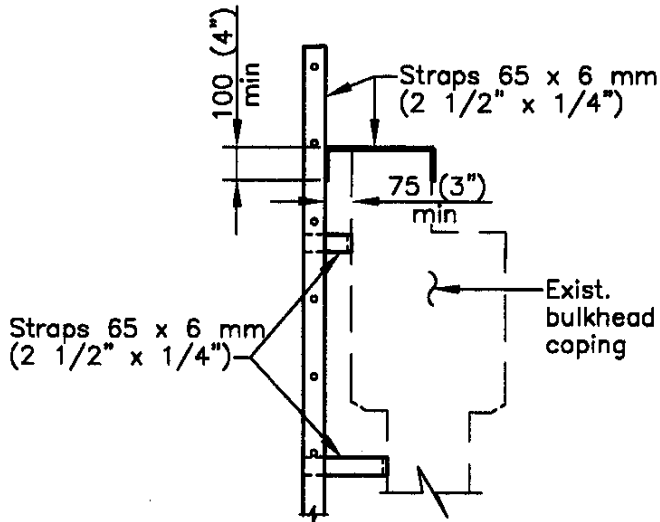


FRONT VIEW



SIDE VIEW

All dimensions are millimeters
except as noted.

REVISIONS		CITY OF LONG BEACH, CALIFORNIA DEPARTMENT OF PUBLIC WORKS	STANDARD PLAN NO.
NO.	DATE		METRIC
1	06/10/98	WELDED STEEL LADDER	809
2	12/23/02		
3		APPROVED BY: <i>Mal Christoffel</i> CITY ENGINEER R.E. No. 40599	SHEET
4			DATE: 1/10/03 EX. DATE 03/31/03