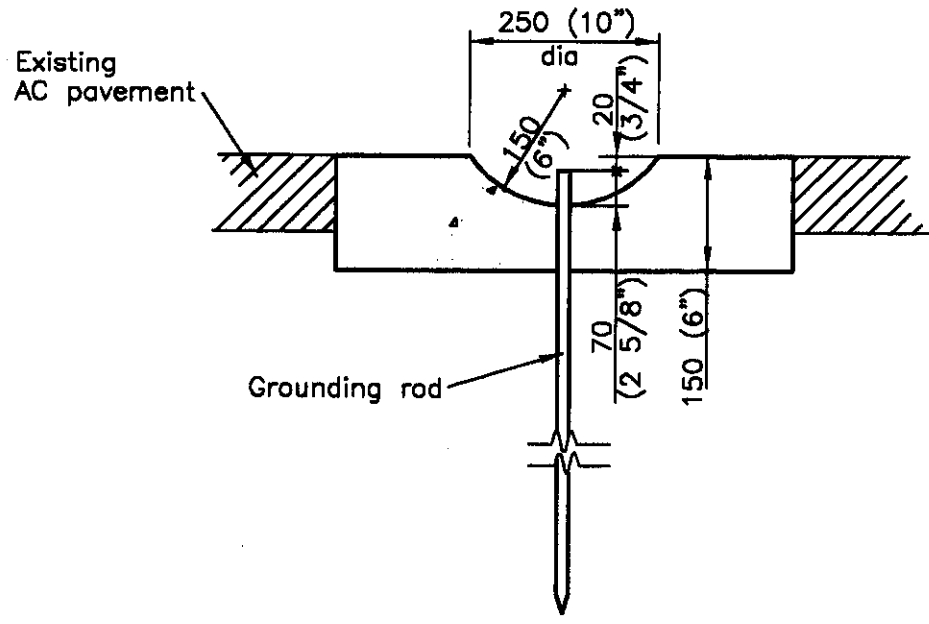


PLAN



CROSS SECTION

NOTES:

1. The grounding rod shall be copper, 10 mm (5/8") dia, 3.0 m (10') long.
2. The grounding rod system shall be installed in accordance with National Fire Protection Association (NFPA) standards.
3. The Contractor shall deliver to the City certification of bonding, grounding, and electrical continuity checks done in accordance with NFPA standards.
4. P-610 and P-620 refer to items in the Federal Aviation Administration (FAA) specifications, incorporated herein by reference.

All dimensions are millimeters except as noted.

REVISIONS		CITY OF LONG BEACH, CALIFORNIA DEPARTMENT OF PUBLIC WORKS	STANDARD PLAN NO.
NO.	DATE		
1	04/28/98	AIRFIELD GROUNDING ROD	901
2	12/23/02		SHEET
3			1 OF 1
4			
APPROVED BY: <i>Mark Antifak</i>		DATE: <i>1/10/03</i>	
CITY ENGINEER R.E. NO. <i>40599</i>		EX. DATE: <i>03/31/03</i>	